

**DESCRIPTION:**

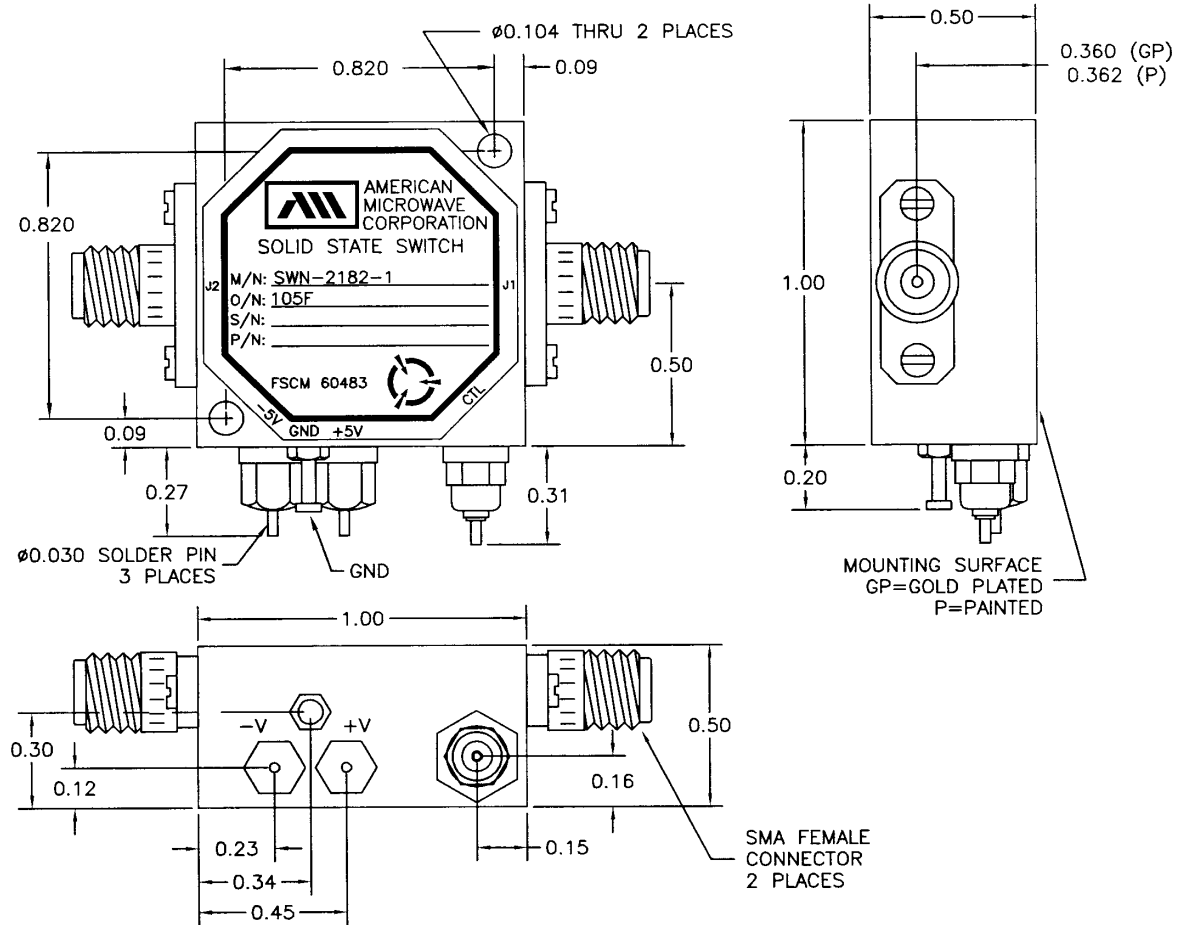
AMC MODEL NUMBER SWN-2182-1 OPTION 105F IS A SINGLE POLE SINGLE THROW REFLECTIVE SWITCH MODULE WITH LOW INSERTION LOSS, DRIVERLESS UNIT. DESIGNED FOR 1.5 GHz FREQUENCY RANGE.

**SPECIFICATIONS:**

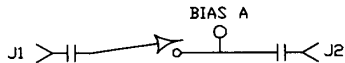
- FREQUENCY: 1.5 GHz
- INSERTION LOSS: 0.5 dB
- ISOLATION: 30 dB
- VSWR: 1.4:1
- SPEED: RISE TIME: 10 nS MAXIMUM  
FALL TIME: 10 nS MAXIMUM
- SIZE: 1.00" (L) x 1.00" (W) x 0.50" (H)
- WEIGHT: 1.5 OUNCE TYPICAL

REVISIONS				
ZONE	REV.	DESCRIPTION	DATE	APPROVED
-	-	ORIGINAL RELEASE, JOB# 712238E	10/28/03	

**MECHANICAL OUTLINE**



**BLOCK DIAGRAM**



**ENVIRONMENTAL RATINGS**

- TEMPERATURE: -55°C TO +85°C (OPERATING)  
-65°C TO +125°C (STORAGE)
- HUMIDITY: MIL-STD-202F, METHOD 103B COND. B
- SHOCK: MIL-STD-202F, METHOD 213B COND. B
- VIBRATION: MIL-STD-202F, METHOD 204D COND. B
- ALTITUDE: MIL-STD-202F, METHOD 105C COND. B
- TEMPERATURE CYCLE: MIL-STD-202F, METHOD 107D COND. A

ALL DIMENSIONS ARE IN INCHES  
TOLERANCES:  
X.XX ±0.020  
X.XXX ±0.010

**CONFIDENTIAL AND PROPRIETARY**

APPROVALS		DATE	AMERICAN MICROWAVE CORPORATION FREDERICK, MARYLAND		
DRAWN		10/28/03	TITLE PRODUCT FEATURE SWN-2182-1 OPTION 105F		
CHECKED			REV. -		
ISSUED			SIZE A	FSCM NO. 60483	DWG NO. 100-6807
SCALE N/S			SHEET 1 of 3		

NOTE: THE ABOVE SPECIFICATIONS ARE SUBJECT TO CHANGE OR REVISION